

WE-A2700

Structure aluminium alloy and steel

Reduction unit with worm wheel and irreversible worm-screw (reverse motion is possible only when the operator acts on the relevant controls, therefore no negative brake is required).

Reduction ratio: - 50:1 (total ratio 290:1) or
- 38:1 (total ratio 213:1)

Manual clutch for drum engagement – disengagement (pneumatic version as option).

Mono-phase (220V) or three-phase (380V) motor versions both available

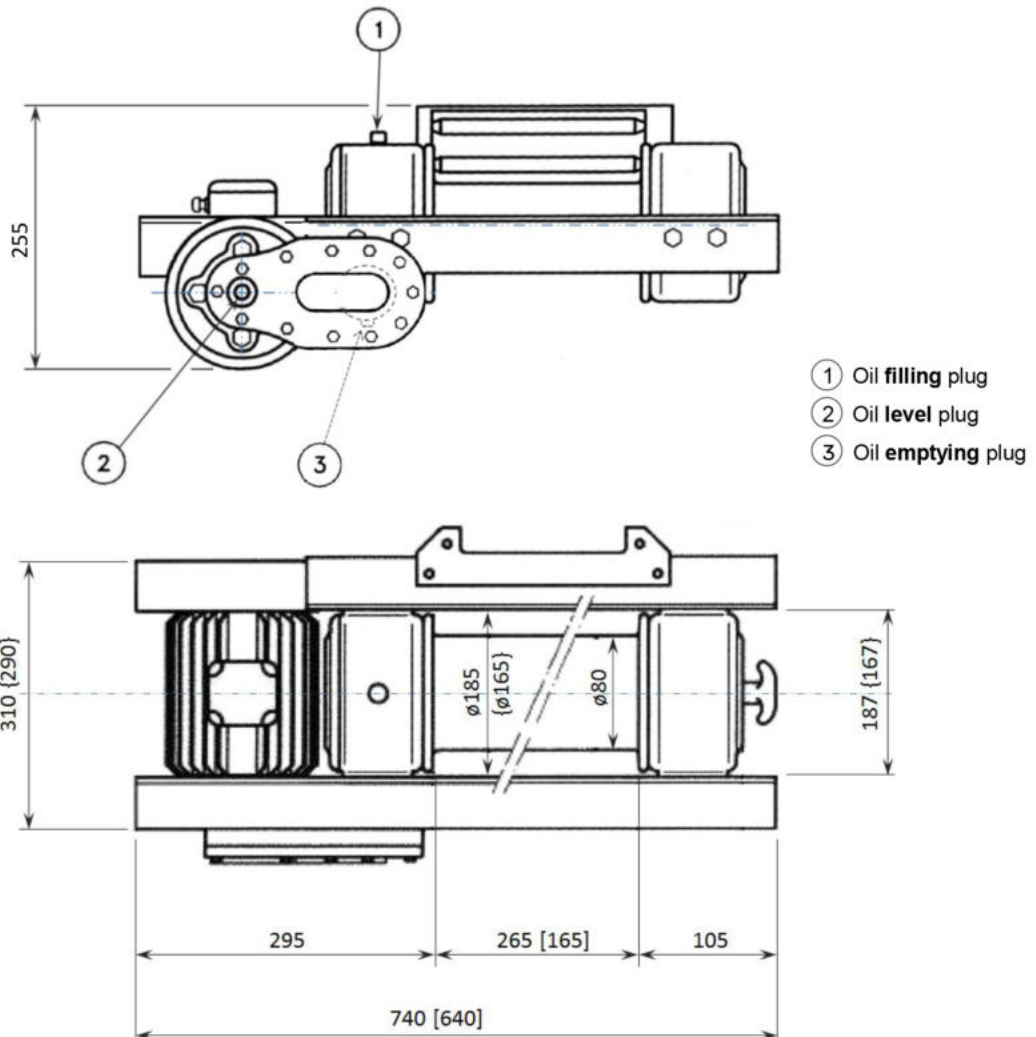
Standard width or short drum available in both versions.

Wired remote control button board (CE suitable)

Line speed, line pull, drum rope capacity: see following page

Zinc-plated steel fairlead rollers unit.

Total weight w/out rope: 45 kg



Dimensions of the standard version
[dimensions of the short drum version]
{dimension of the narrow drum flange version}